



Stock, Rimfire, and/or Unlimited Divisions Original Course of Fire

Competitor faces NRA "D1" paper targets at distances of 15, 25, 50, and 75 Feet **OR** 5, 7(21 ft.), 15 and 25 yards with firing timed as follows:

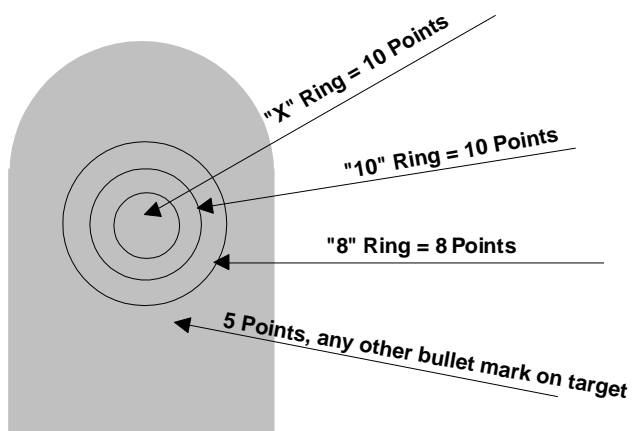
500 CLUB qualifying course of fire

D-1	5 rounds	25 feet OR	7(21ft) yards	15 seconds
D-1	5 rounds	50 feet OR	15 yards	15 seconds
D-1	10 rounds	15 feet OR	5 yards	15 seconds

CHANGE TARGETS NOW

D-1	10 rounds	25 feet OR	7(21ft) yards	15 seconds
D-1	10 rounds	50 feet OR	15 yards	15 seconds
D-1	10 rounds	75 feet OR	25 yards	30 seconds

SCORING TARGET



THERE IS NO PENALTY FOR MISSES OR UNFIRED SHOTS.



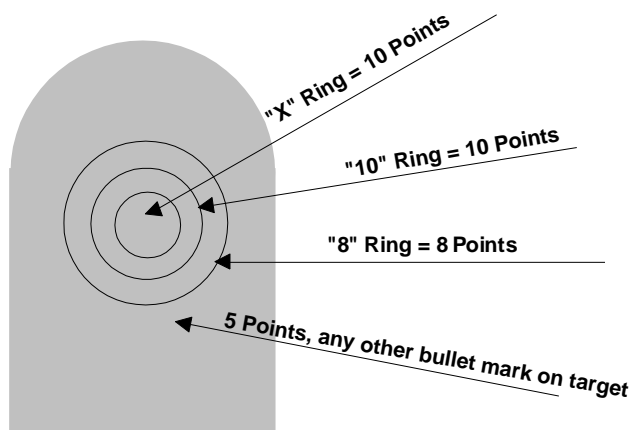
COURSE OF FIRE OPTION E

POCKET GLOCKS (Does not qualify for 500 Club) **250 CLUB **

Competitor faces NRA "D1" paper targets at distances of 9, 15, 25, 30 and 50 feet OR 3, 5, 7(21ft), 10, and 15 yards, with firing timed as follows:

D-1	5 rounds	9 feet OR	3 yards	15 seconds
D-1	5 rounds	15 feet OR	5 yards	15 seconds
CHANGE TARGETS NOW				
D-1	5 rounds	25 feet OR	7(21ft) yards	15 seconds
D-1	5 rounds	30 feet OR	10 yards	15 seconds
D-1	5 rounds	50 feet OR	15 yards	15 seconds

SCORING TARGET



THERE IS NO PENALTY FOR ISSUES OR UNFIRED SHOTS.